

Ultra Wide Band ANCHOR

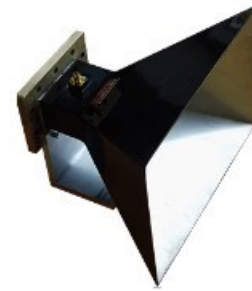
HA01

Key items:

- Person and object tracking using long range UWB
- Operates outside congested wifi bands
- Decawave UWB Radio, 3-7GHz, IEEE 802.15.4a
- 8dBm Bluetooth 5.3
- Firmware upgrade over the air (AES security, unique ID)
- 800+ meter range at 6.8Mbps

Outdoor localisation < 10cm accuracy¹.

The ultrawideband radio guarantees a reliable connection as a data backhaul for bi-directional secured communication. UWB operates outside the WiFi bands using worldwide allowed unoccupied frequencies.



Secure access & control



UWB indoor tracking



Energy efficient: 2 UWB modes



Network to all IOT devices



3D visualisation app



Infiniscale[®], wireless scaleable

Connector 1 : M12 5 pin
Power input

USB (via M12 connector)
M12 connector 4.5 to 28VDC
PoE (optional)

Optional

- Connector 2 : Ethernet 10/100
- Linux board : Quad core A7 1.2GHz

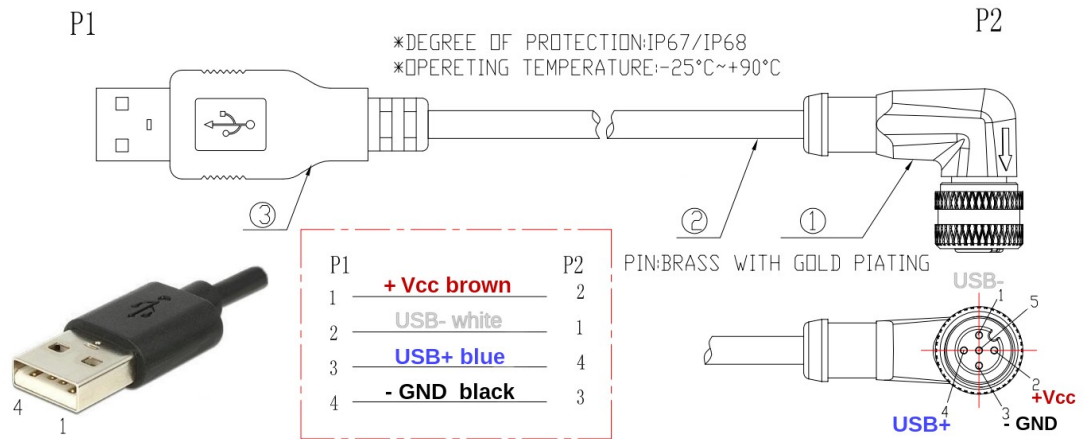
Dimensions	100 x 100 x 27 mm
Operational temperature	-15 to +70 °C
Weight	800g
Power consumption	0.5Watt typical
Radio	UWB 3-7GHz Bluetooth 2.4GHz

USB, Power cable

USB 5V. Input voltage range WA01 M12 connector (P2): 4.5 to 28VDC

P1: USB-A

P2: M12 5pin IP67



For industrial and building automation a star topology on 24VDC power supply is recommended using the M12 ready made power supply cables. For data offloading a M12 to USB cable can be used.